



”Safe-Switch 900 ”

Safe and smooth MGO-HFO operation

Anders Steen Sørensen

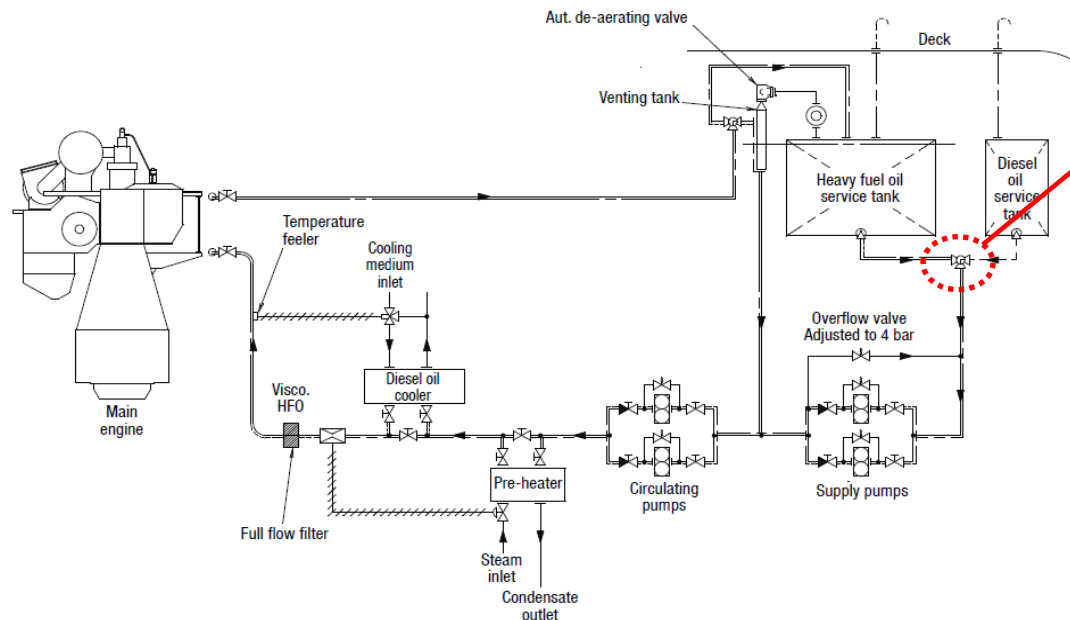
DME-EUMT - Your Strategic Partner

Features

- Safe change over between HFO & MGO
- Programmable & controlled temperature change rate
- Automatic and manual operation
- Simple operation for the crew
- Easy to install on retrofit and new-building ships



Change-over valve



Components



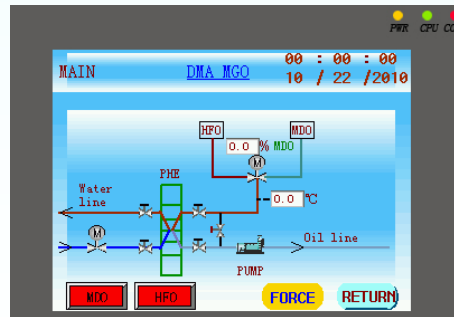
Temperature Sensor



PLC Controller

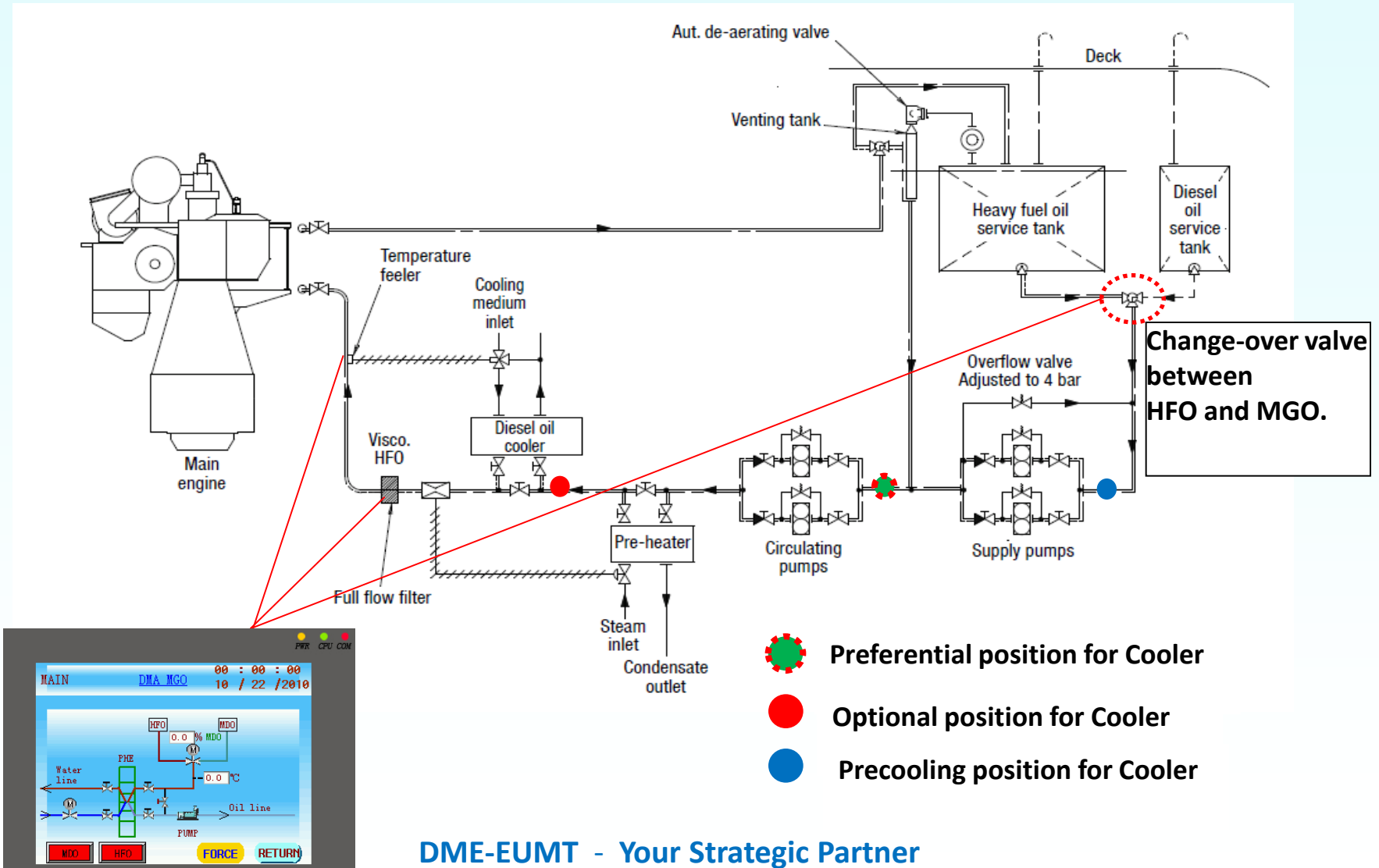


DMA Change-Over Valve



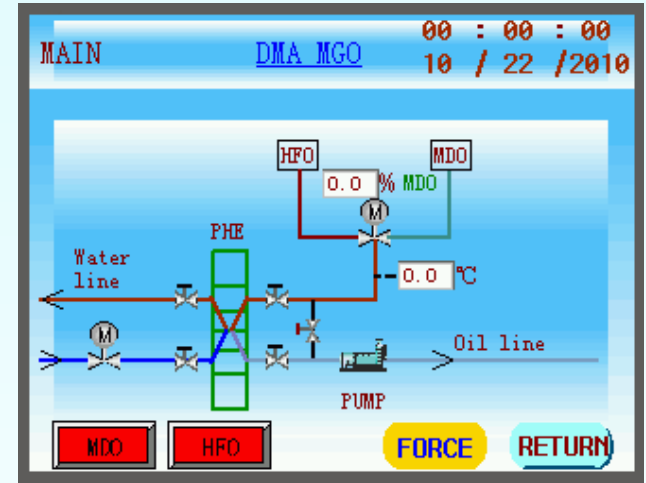
Touch Screen

Process



Process

- Reduce M/E Index according to operation manual
- Shut of steam tracing & steam to pre-heater
- Initiate the change over process HFO → MGO on the touch screen
- The temperature drop will be controlled not to exceed 2°C per minute
- Changing MGO → HFO is controlled the same way
- Data logging with time stamp included ready for proof of change over to authorities





SAFE AND SMOOTH OPERATION

DME-EUMT - Your Strategic Partner